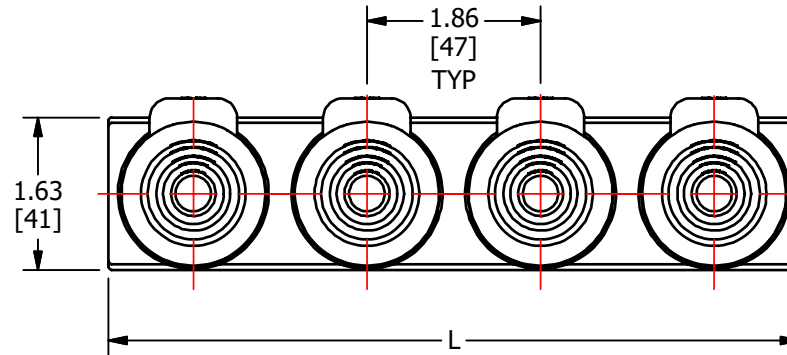
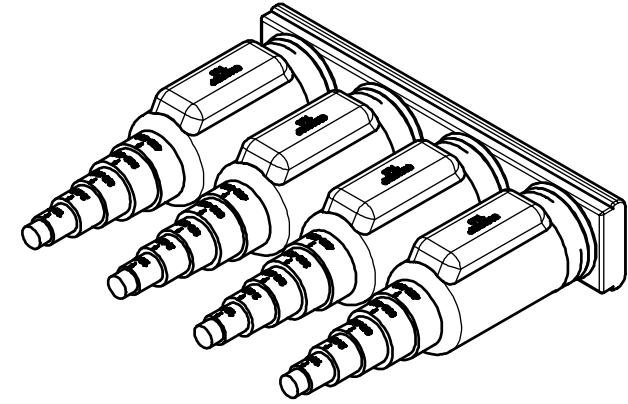
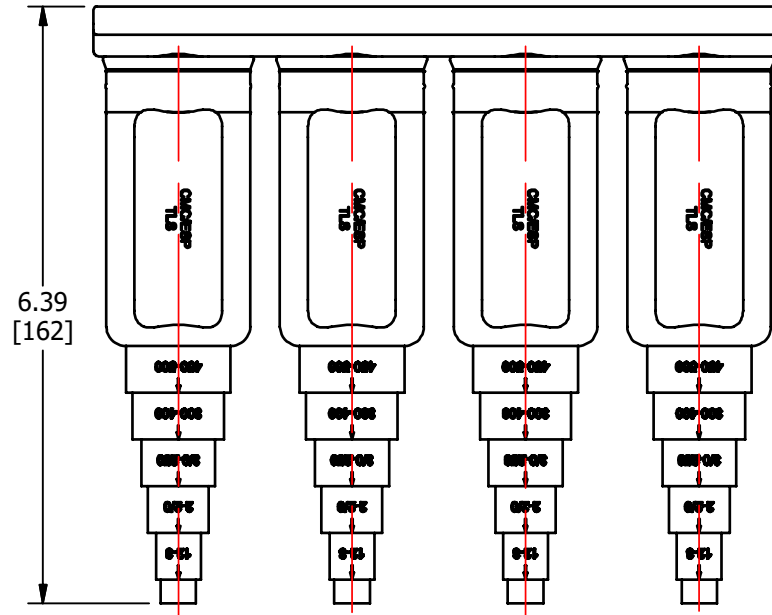
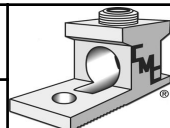


S.NO	CATALOG NUMBER	A
1	BRD2-500TSXB	3.67 [93]
2	BRD3-500TSXB	5.53 [140]
3	BRD4-500TSXB	7.39 [188]
4	BRD5-500TSXB	9.25 [235]
5	BRD6-500TSXB	11.11 [282]
6	BRD8-500TSXB	14.82 [377]



NOTES:

- CONNECTOR MATERIAL: ALUMINUM
- COVER MATERIAL: BLACK RUBBER
- CONDUCTOR RANGE: 500 KCMIL TO #12 (AL-CU)

					TO ORDER CMC PRODUCTS	DRAWN BY: TS 05-19-20	NAME OF PART: SUBMERSIBLE PEDESTAL CONNECTOR	CAT. NO.: SEE TABLE
					UNITED STATES 1-513-860-4455	CHECKED BY:	DWG NO: U55700877I-S (CHARTED)	A
					CANADA 1-800-361-6975	DRAWING NOT TO SCALE		SHEET NO: 1 OF 1
					MEXICO 011-52-722-265-4400			
A	NEW DRAWING CREATED		05-19-20	TS	FOR PRODUCT INFO www.cmcugs.com			
REV.	DESCRIPTION	ECN	DATE	INIT.				

THIS INFORMATION IS PROPRIETARY TO CONNECTOR MFG. CO. AND IS NOT TO BE DISCLOSED OUTSIDE OF CONNECTOR MFG. CO. WITHOUT A CONFIDENTIALITY AGREEMENT



**CONNECTOR MANUFACTURING CO.**

HAMILTON, OHIO